



July, 1981
New Information and
Supplements I.B. 32-253-4A

Porcel-line Type DHP Magnetic Air Circuit Breakers

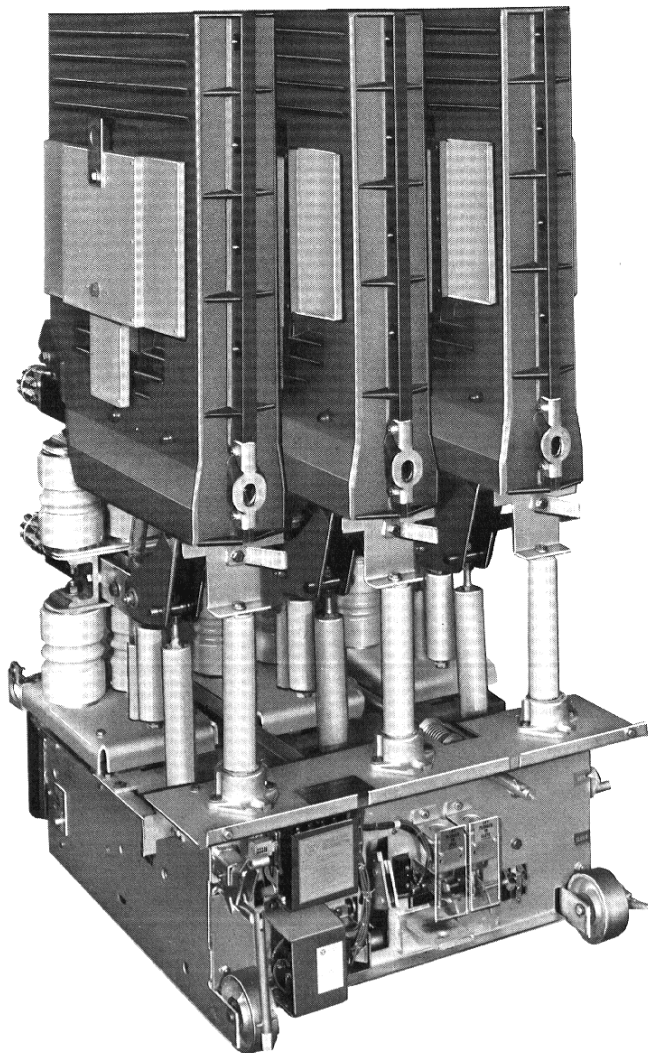


Figure 1. 150 DHP 500, 1200 Amperes with barrier removed.

The following breakers are included in this publication

Circuit Breaker Type	Nominal Voltage Class —KV	Nominal 3 Phase MVA Class	Rated Continuous Current at 60 HZ —Amperes	Momentary Current Rating (Closing and Latching Capability) —KA RMS
50DHP75	4.16	75	1200	19
50DHP250	4.16	250	1200 2000	58
H50DHP250 ①	4.16	250	1200 2000	78 ①
50DHP350	4.16	350	1200 2000 3000	78
75DHP500	7.2	500	1200 2000 3000	66
150DHP500	13.8	500	1200 2000	37
H150DHP500 ①	13.8	500	1200 2000 3000	58 ①
150DHP750C	13.8	750	1200 2000 3000	58
H150DHP750C ①	13.8	750	1200 2000 3000	77 ①
150DHP1000	13.8	1000	1200 2000 3000	77

① Non-Standard Breaker with High Momentary Rating Available for Special Applications.

For complete information on Type DHP Breaker ratings, see instruction Book 32-253-4A.

INDEX

Subject	Page Number
General Information	2
Common Parts	3
Pole Units	4-7
Arc Chutes & Barriers	8-11
Operating Mechanism	12-15
Levering Mechanism	16

Parts Identification

Renewal Parts Data 32-253-4A is supplementary information to Instruction Book 32-253-4A, **Instructions for Porcel-line Type DHP Magnetic Air Circuit Breakers**. The illustrations in this Renewal Parts Data show parts and sub-assemblies which are identified by name and style number in the associated tabulations. Additional information and illustrations are shown in the figures in I.B. 32-253-4A, which show many sub-assemblies and detail parts in order to illustrate their function and location in the assembly. Some of the detail parts shown in the instruction book are recommended only as part of a sub-assembly to facilitate their replacement or installation in the field. The availability of parts and sub-assemblies is indicated by style number in the following data.

If the item in question cannot be identified by style number, refer to the figure number, name and item number as shown in this RPD (or I.B. 32-253-4A) along with the breaker type and its shop order number or style number as shown on the nameplate on the front of the breaker mechanism panel.

The above nameplate information will also be required when adding components, which are not direct replacements, to a circuit breaker.

Recommended Spare Parts

Spare parts recommended for stocking are indicated in the following data by the symbol ®. An adequate stock of spare parts will help minimize emergency situations and can substantially reduce production down time.

The amount of investment to be made in spare parts stock can be dependent on a number of individual factors. The items recommended and the quantities specified below are intended as a guide.

For 1 to 5 Breakers—Items marked ® in sufficient quantity for one breaker.

For 6 to 10 Breakers—Items marked ® in sufficient quantity for two breakers, plus one complete single pole unit assembly and one complete arc chute assembly.

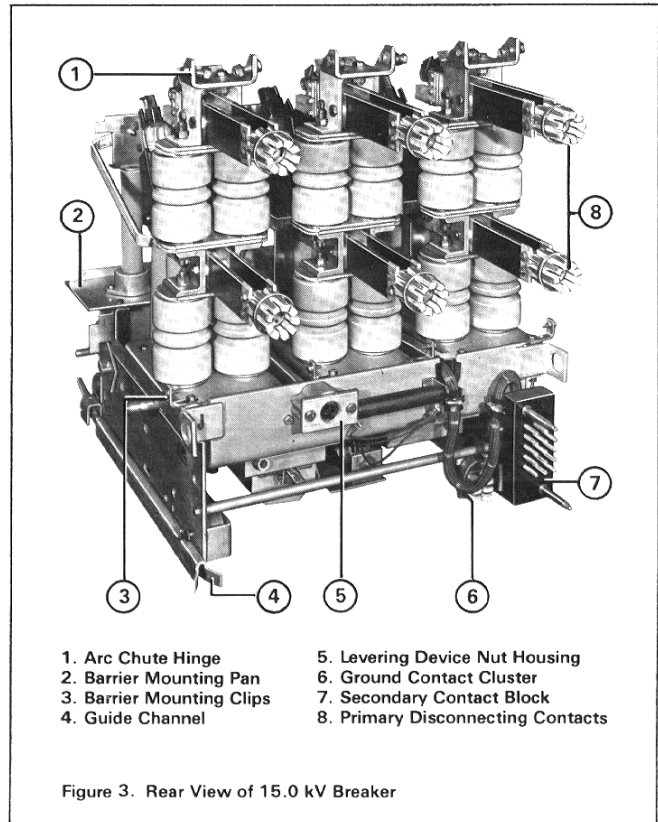
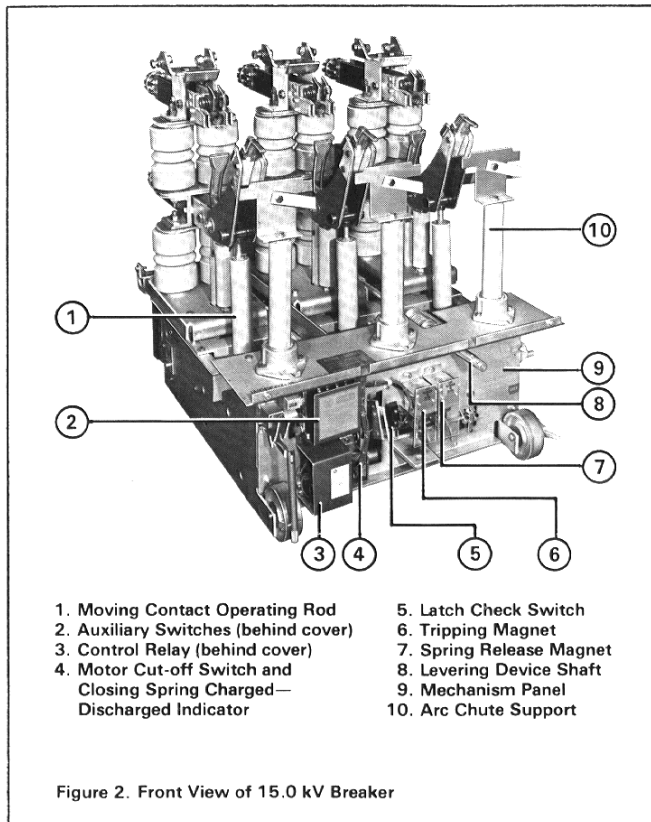
Over 10 Breakers—One spare complete breaker, plus recommended spare parts in sufficient quantity for two breakers.

Ordering Information

1. Name item and give its style number. Specify quantity desired.
2. State method of shipment desired.
3. Send all orders or correspondence to nearest Westinghouse Sales Office.

Pricing Information

Many of the style numbers in this data are listed in Price and Entry Guide 120 and PL 121.





Items Common to All Breakers

Description of Part	Figure Number	Number Required for one Breaker	Style Number of Part
Auxiliary Switch, Upper	2	1 ⊕	46A9047G04
Auxiliary Switch, Lower	2	1 ⊕	46A9047G05
Latch Check Switch	2	1 ⊕	784A907H01
Motor Cutoff Switch	2	1 ⊕	450D818G02 (to replace 4 terminal switch)
Motor Cutoff Switch	2	1 ⊕	450D818G04 (to replace 8 terminal switch)
Ground Contact Cluster	3	1 ⊕	310C665G01
Secondary Contact Block (on breaker)	3	1 ⊕	691C424G01
Secondary Contact Block (in housing)		1 ⊕	4A7850A05

Control Items	Control Voltage				
	48 V DC	125 V DC	250 V DC	115 V AC 60 HZ	230 V AC 60 HZ
Trip Coil ①	1 ⊕	677C903G01	677C903G02	677C903G03	
Spring Release Coil	1 ⊕	677C903G01	677C903G02	677C903G03	677C903G05
Control Relay, "Y"	1 ⊕	765A944G03	765A944G01	765A944G02	133A595G04
Resistor Assembly	1	73432EC0BD 25 Ohm	73432EC0HE 200 Ohm	73432EC0MB 750 Ohm	502A006H13 250 Ohm
					502A006H15 750 Ohm

⊕ Recommended Spare—See page 2. ① For Capacitor Trip Device 382D719G06 use trip coil 677C903G03
For Capacitor Trip Device 689C166G02 use trip coil 677C903G07

Accessories for DHP Switchgear

Description of Accessory	Style Number	Application
Maintenance Handle	503B141G01	All breakers except 50DHP350, 150DHP750C and 150DHP1000
	590C456G01	50DHP350, 150DHP750C and 150DHP1000
Levering-In Crank	509A931G01	All breakers
Arc Chute Lifter	591C719G01	50DHP350
(not required with 50DHP75 and 50DHP250)	677C888G01	All 7.5 and 15 KV breakers except 150DHP750C 150DHP1000
	678C320G02	150DHP750C and 150DHP1000
Arc Chute Hanger	591C718G01	For 50DHP350 only
Turning Dolly	677C889G01	All breakers except 150DHP750C and 150DHP1000
	677C889G03	150DHP750C and 150DHP1000
Transfer Truck		For Outdoor Aisleless Assemblies:
	6896D31G01	5 KV and 28" Wide 50DHP350, 1200/2000 A
	6896D31G04	All 7.5 and 15 KV (except 150DHP750C and 150DHP1000) and 36" wide 50DHP350, 3000 A
	6896D31G02	150DHP750C and 150DHP1000
Test Cable	449D205G01	All breakers

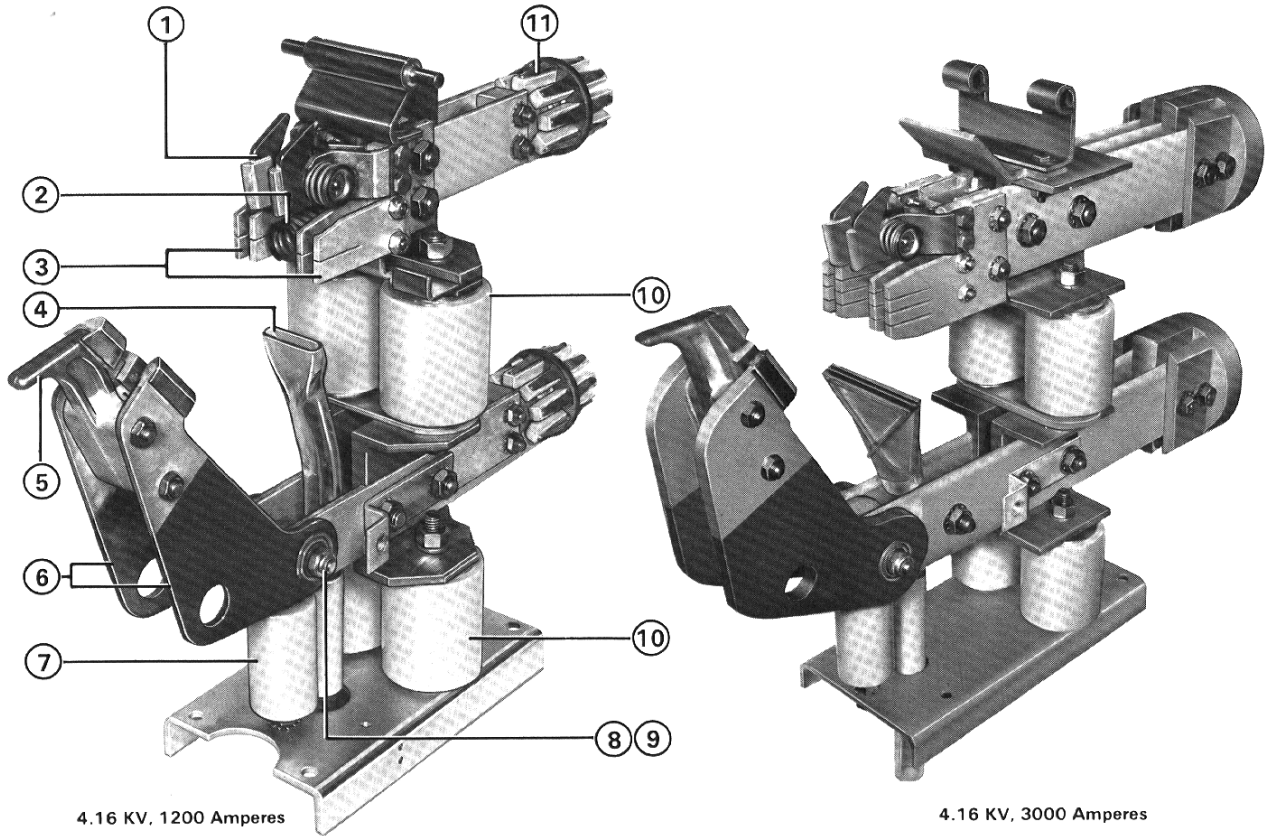
Lubrication

Refer to I.B. 32-253-4A for recommendations on lubrication.
For breaker mechanism—
Molybdenum disulphide grease
Order (W) No. 53701QB12J (14 oz. tube).
For breaker main contacts—
Graphite grease
Order (W) No. 53701AN00T (One quart can)

Standard Hardware

Standard hardware such as bolts, nuts, washers, etc. are not listed in this data. Such items should be purchased locally.
Hardware should be a minimum of SAE Grade 5.

POLE UNIT PARTS



- | | | |
|-----------------------------------|-----------------------------|--|
| 1. Stationary Arcing Contact | 5. Moving Arcing Contact | 9. Moving Contact Hinge Spring |
| 2. Kick Out Spring | 6. Moving Main Contacts | 10. Porcelain Insulator |
| 3. Stationary Main Contact Ass'y. | 7. Porcelain Hinge Support | 11. Primary Disconnecting Contact Ass'y. |
| 4. Puffer Tube Ass'y. | 8. Moving Contact Hinge Pin | |

Figure 4.

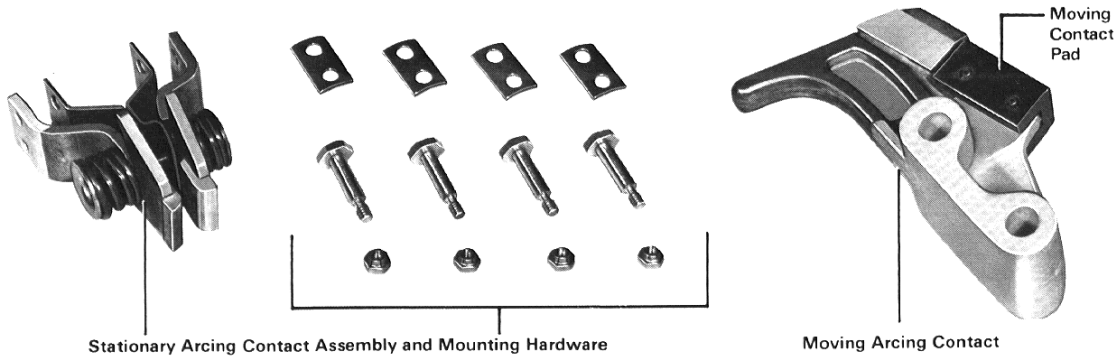


Figure 5.

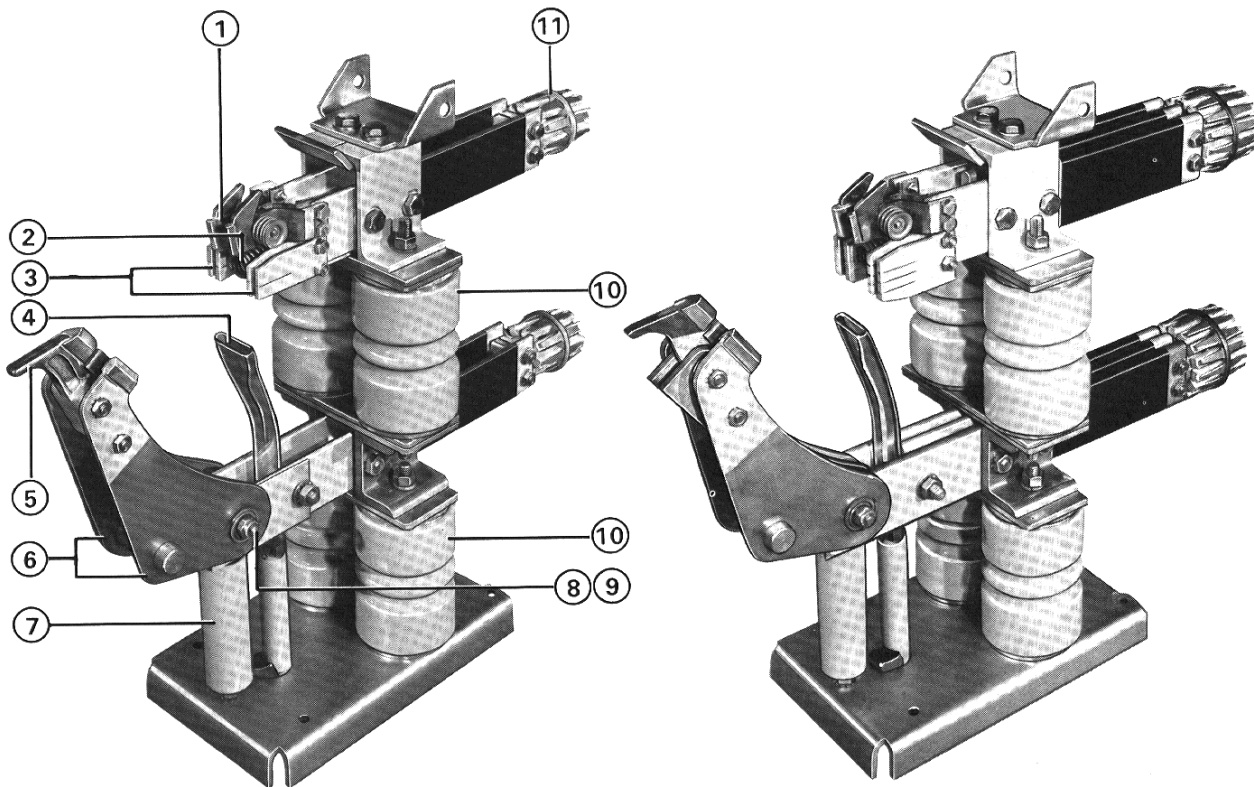


Pole Units

Description of Part	Fig. No.	Number Required for One 3 Pole Breaker	Continuous Current Rating—Amperes							
			1200A	1200A	1200A	2000A	1200A	2000A	3000A	
			Breaker Type and Momentary Current Rating—KA	50DHP75 19 KA	50DHP250 58 KA	50DHP250 78 KA	50DHP250 58 and 78 KA	50DHP350 78 KA	50DHP350 78 KA	50DHP350 78 KA
Single Pole Unit Ass'y complete, includes following:	4	3	①	568F566G02	568F566G04	568F566G01	568F562G01	568F562G02	568F575G01	
Stationary Arcing Contact Ass'y including Mtg. Hardware	5	3®	501B812G01	501B812G01	501B812G01	501B812G01	501B812G01	501B812G01	501B812G01	501B812G01
Stationary Main Contact Ass'y—R.H. and L.H.	4	3®	506A098G03	506A098G03	506A099G02	506A099G02	506A099G02	506A099G02	506A099G02	
Station Main Contact—R.H. Outside	4	3®								592C695G01
Station Main Contact—R.H. Inside	4	3®								592C695G02
Stationary Main Contact—L.H. Inside	4	3®								592C695G03
Stationary Main Contact—L.H. Outside	4	3®								592C695G04
Kick Out Spring	4	② 3®	506A096H03	506A096H03	506A096H03	506A096H03	506A096H03	506A096H03	506A096H03	② 506A096H03
Moving Arcing Contact	5	3®	677C885G01	677C885G01	677C885G01	677C885G01	677C885G01	677C885G01	677C885G01	677C885G03
Moving Contact Pad	5	3®	506A100H02	506A100H02	506A100H02	506A100H02	506A100H02	506A100H02	506A100H02	506A100H02
Moving Main Contact—R.H.	4	3®	6898D72G01	6898D72G01	6898D73G01	6898D73G01	6898D73G01	6898D73G01	6898D73G01	6898D77G01
Moving Auxiliary Contact—R.H.	4	3®								592C692H01
Moving Main Contact—L.H.	4	3®	6898D72G02	6898D72G02	6898D73G02	6898D73G02	6898D73G02	6898D73G02	6898D73G02	6898D77G02
Moving Auxiliary Contact—L.H.	4	3®								592C692H02
Moving Contact Hinge Pin	4	3®	506A107H01	506A107H01	506A107H02	506A107H02	506A107H02	506A107H02	506A107H02	506A107H06
Moving Contact Hinge Spring	4	6®	794A111H01	794A111H01	794A111H01	794A111H01	794A111H01	794A111H01	794A111H01	
Moving Contact Hinge Spring—Outside	4	6®								794A111H01
Moving Contact Hinge Spring—Inside	4	6®								794A111H03
Porcelain Insulator—Upper and Lower	4	12	592C684G01	592C684G01	592C684G01	592C684G01	592C684G01	592C684G01	592C684G01	592C684G01
Puffer Tube Ass'y	4	3	592C686G01	592C686G01	592C686G01	592C686G01	449D751G06	449D751G06	449D751G06	449D751G07
Porcelain Hinge Support Ass'y	4	3	592C682G01	592C682G01	592C682G01	592C682G01	592C682G01	592C682G01	592C682G01	592C682G01
Following are not included in Single Pole Unit Assembly										
Moving Contact Operating Rod	2	3	501B713G01	501B713G01	501B713G01	501B713G01	501B713G01	501B713G01	501B713G01	436B414G01
Primary Disconnecting Contact Assembly	4	6	502A851G01	502A851G01	502A851G01	502A852G01	502A851G01	502A852G01	502A852G01	654A619G03

® Recommended Spare—See page 2.
 ① Complete pole unit assembly is not available for 50DHP75 breaker.
 ② Six required for 50DHP350, 3000 ampere breaker.

POLE UNIT PARTS



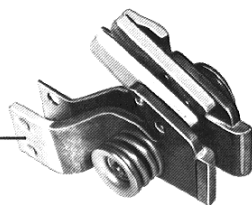
7.2 and 13.8 KV, 1200 Amperes

7.2 and 13.8 KV, 3000 Amperes

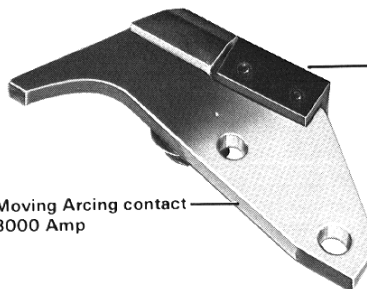
- | | | |
|-----------------------------------|-----------------------------|--|
| 1. Stationary Arcing Contact | 5. Moving Arcing Contact | 9. Moving Contact Hinge Spring |
| 2. Kick Out Spring | 6. Moving Main Contacts | 10. Porcelain Insulator |
| 3. Stationary Main Contact Ass'y. | 7. Porcelain Hinge Support | 11. Primary Disconnecting Contact Ass'y. |
| 4. Puffer Tube Ass'y. | 8. Moving Contact Hinge Pin | |

Figure 6.

Stationary Arcing Contact Assembly for 150 DHP 750C and 150 DHP 1000 (Mounting Hardware Shown in Figure 5)



Moving Arcing contact 3000 Amp



Moving Contact Pad

Figure 7.



Pole Units

Description of Part	Figure Number	Number Required for One 3 Pole Breaker	Continuous Current Rating—Amperes								
			1200A	2000A	1200A	1200A	2000A	3000A	3000A		
			Breaker Type and Momentary Current Rating—KA		75DHP500 66 KA	75DHP500 66 KA	150DHP750C 58 KA	150DHP750C 77 KA	150DHP750C 58 and 77 KA	75DHP500 66 KA	150DHP750C 58 and 77 KA
			150DHP500 37 and 58 KA	150DHP500 37 and 58 KA		150DHP1000 77 KA	150DHP1000 77 KA	150DHP500 58 KA	150DHP1000 77 KA		
Single Pole Unit Ass'y complete, includes following:	6	3	568F444G01	567F984G05	568F444G03	568F444G04	568F261G05	567F984G03	568F261G03		
Stationary Arcing Contact Ass'y including Mtg. Hardware	5 7	3 [®]	501B812G01	501B812G01	501B812G03	501B812G03	501B812G03	501B812G01	501B812G03		
Stationary Main Contact Ass'y R.H. and L.H.	6	3 [®]	506A098G03	506A099G02	506A098G03	506A099G02	506A099G02				
Stationary Main Contact—R.H. Outside	6	3 [®]						3585A68G02	3585A68G02		
Stationary Main Contact—R.H. Inside	6	3 [®]						3585A69G01	3585A69G01		
Stationary Main Contact—L.H. Inside	6	3 [®]						3585A69G02	3585A69G02		
Stationary Main Contact—L.H. Outside	6	3 [®]						3585A68G01	3585A68G01		
Kick Out Spring	6	3 [®]	506A096H03	506A096H03	506A096H03	506A096H03	506A096H03	506A096H03	506A096H03		
Moving Arcing Contact	5 7	3 [®]	677C885G01	677C885G01	677C885G01	677C885G01	677C885G01	588C982G01	588C982G01		
Moving Contact Pad	5	3 [®]	506A100H02	506A100H02	506A100H02	506A100H02	506A100H02	506A100H02	506A100H02		
Moving Main Contact—R.H.	6	3 [®]	423D153G01	423D153G03	423D153G01	423D153G03	423D153G03	423D153G03	423D153G03		
Moving Auxiliary Contact—R.H.	6	3 [®]						588C981H01	588C981H01		
Moving Main Contact—L.H.	6	3 [®]	423D153G02	423D153G04	423D153G02	423D153G04	423D153G04	423D153G04	423D153G04		
Moving Auxiliary Contact—L.H.	6	3 [®]						588C981H02	588C981H02		
Moving Contact Hinge Pin	6	3 [®]	506A107H01	506A107H02	506A107H01	506A107H02	506A107H02	506A107H02	506A107H02		
Moving Contact Hinge Spring	6	6 [®]	794A111H01	794A111H01	794A111H01	794A111H01	794A111H01	794A111H01	794A111H01		
Porcelain Insulator—Upper	6	6	591C723G04	591C723G04	591C723G04	591C723G04	591C723G04	591C723G04	591C723G04		
Porcelain Insulator—Lower	6	6	591C723G02	591C723G02	591C723G02	591C723G02	591C723G02	591C723G02	591C723G02		
Puffer Tube Ass'y	6	3	501B719G02	501B719G02	501B719G02	501B719G02	501B719G02	501B719G02	501B719G02		
Porcelain Hinge Support Ass'y	6	3	435B370G01	435B370G01	435B370G01	435B370G01	435B370G01	435B370G01	435B370G01		
Following are not included in Single Pole Unit Ass'y											
Moving Contact Operating Rod	2	3	501B713G02	501B713G02	501B713G02	501B713G02	501B713G02	501B713G02	501B713G02		
Primary Disconnecting Contact Assembly	6	6	502A851G01	502A852G01	502A851G01	502A851G01	502A852G01	502A852G01	502A852G01		

[®] Recommended Spare—See page 2.

ARC CHUTE PARTS

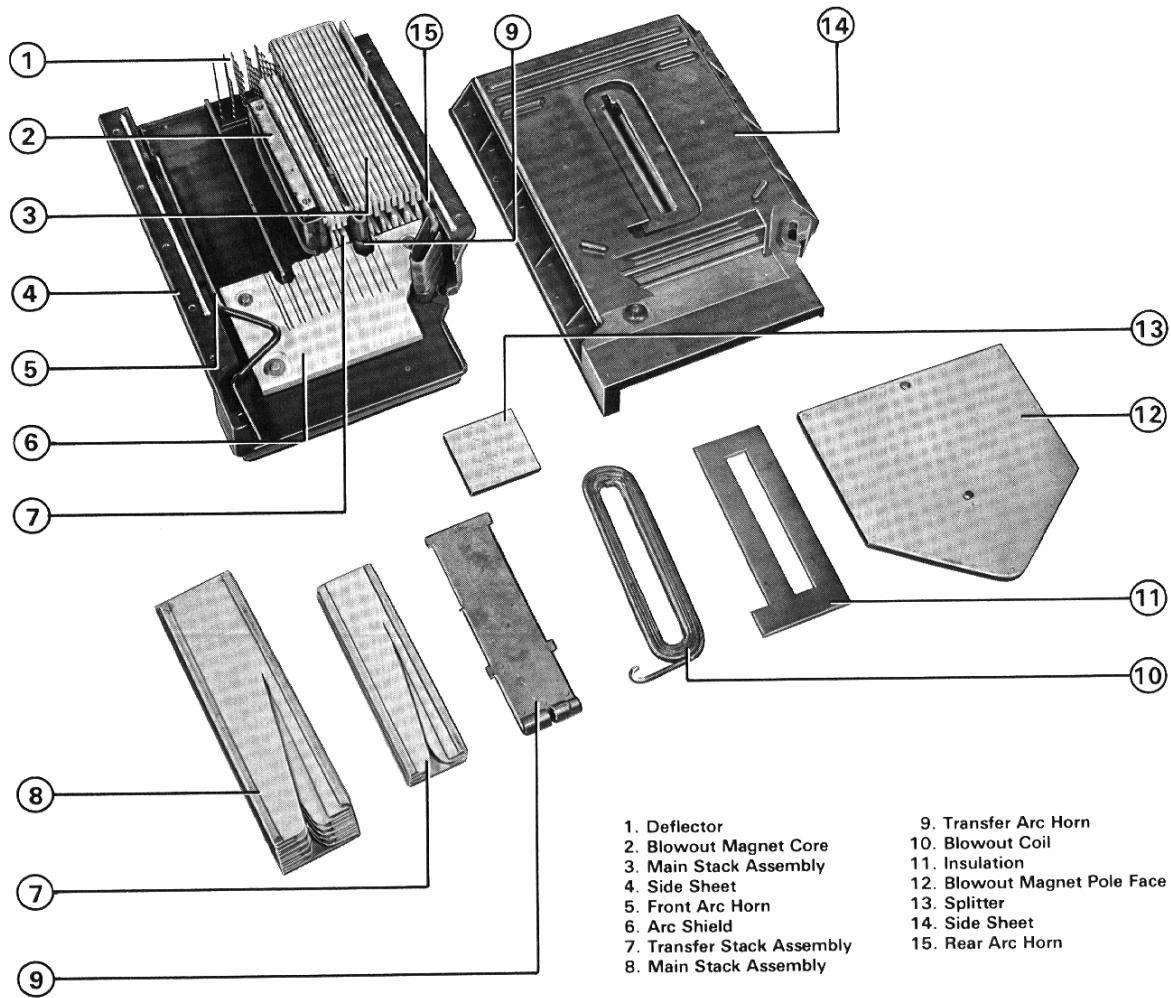


Figure 8. Partially Assembled View and Details of 50-DH-P250 Arc Chute



Arc Chutes and Barriers ①

Description of Part	Figure Number	Number Required for One 3 Pole Breaker	Breaker Type ② 50DHP75		
			50DHP250 All Ratings	50DHP350 All Ratings	
			Style Number of Part		
Arc Chute Complete	8	3	437D487G01	567F417G01	
Side Sheet—R. H.	8	3	548F259G01	449D456G01	
Side Sheet—L. H.	8	3	548F260G01	449D455G01	
Main Stack Ass'y	8	6 ^(R)	310C720G03	591C343G01	
Transfer Stack Ass'y	8	6 ^(R)	310C720G02	304C985G02	
Blowout Coil	8	6	310C716G01	591C353G01	
Magnet Core	8	3	310C718G02	438D072G03	
Shading Coil	8	3	436B359G02	310C853G03	
Arc Horn—Center	8	6	303C659H03	591C344H01	
Arc Horn—Front	8	3	437D493H01	591C354H01	
Arc Horn—Rear	8	3	437D493H02	438D074G02	
Magnet	8	6	310C718G01	438D073G01	
Insulation	8	6	510A494H01	502A623H01	
Deflector	8	12	3714A88H01	-----	
Deflector	8	15	-----	501A418H02	
Arc Shield—R. H.	8	3 ^(R)	423D170H01	423D175H01	
Arc Shield—L. H.	8	3 ^(R)	423D170H02	423D176H01	
Arc Shield—Bottom	8	6 ^(R)	-----	436B420H01	
Splitter	8	6	510A419H01	204B980G01	
Barrier Complete	9	1	437D261G03	423D178G02	449D459G03 for 1200/2000 Amp 567F414G02 for 3000 Amp

^(R) Recommended Spare—See Page 2

① Breakers which have special seismic requirements may be equipped with arc chutes and barriers of different construction from the styles listed. For parts identification obtain breaker shop order number from the breaker nameplate and refer to Switchgear Division.

② Complete arc chute and parts are not available for the 50DHP75 breaker. A complete 50DHP250 arc chute can be used as a replacement. When replacing an existing 50DHP75 arc chute with the 50DHP250 arc chute, the existing arc chute hinge at the top of the pole unit must also be replaced. Order style number 592C698G02.

Barrier —————

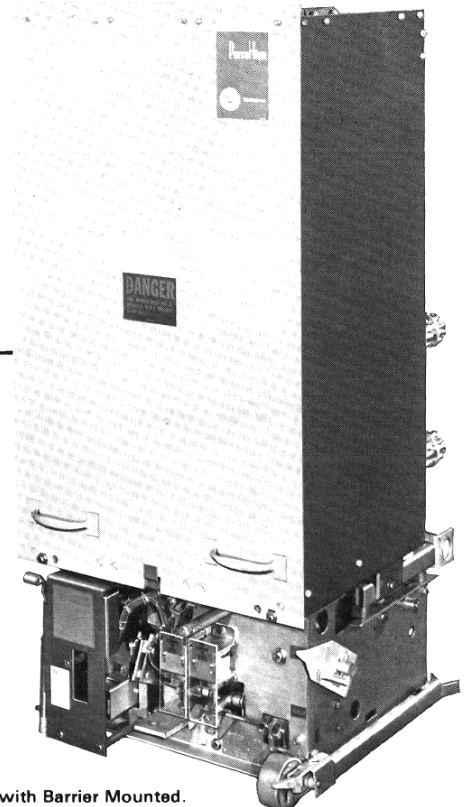
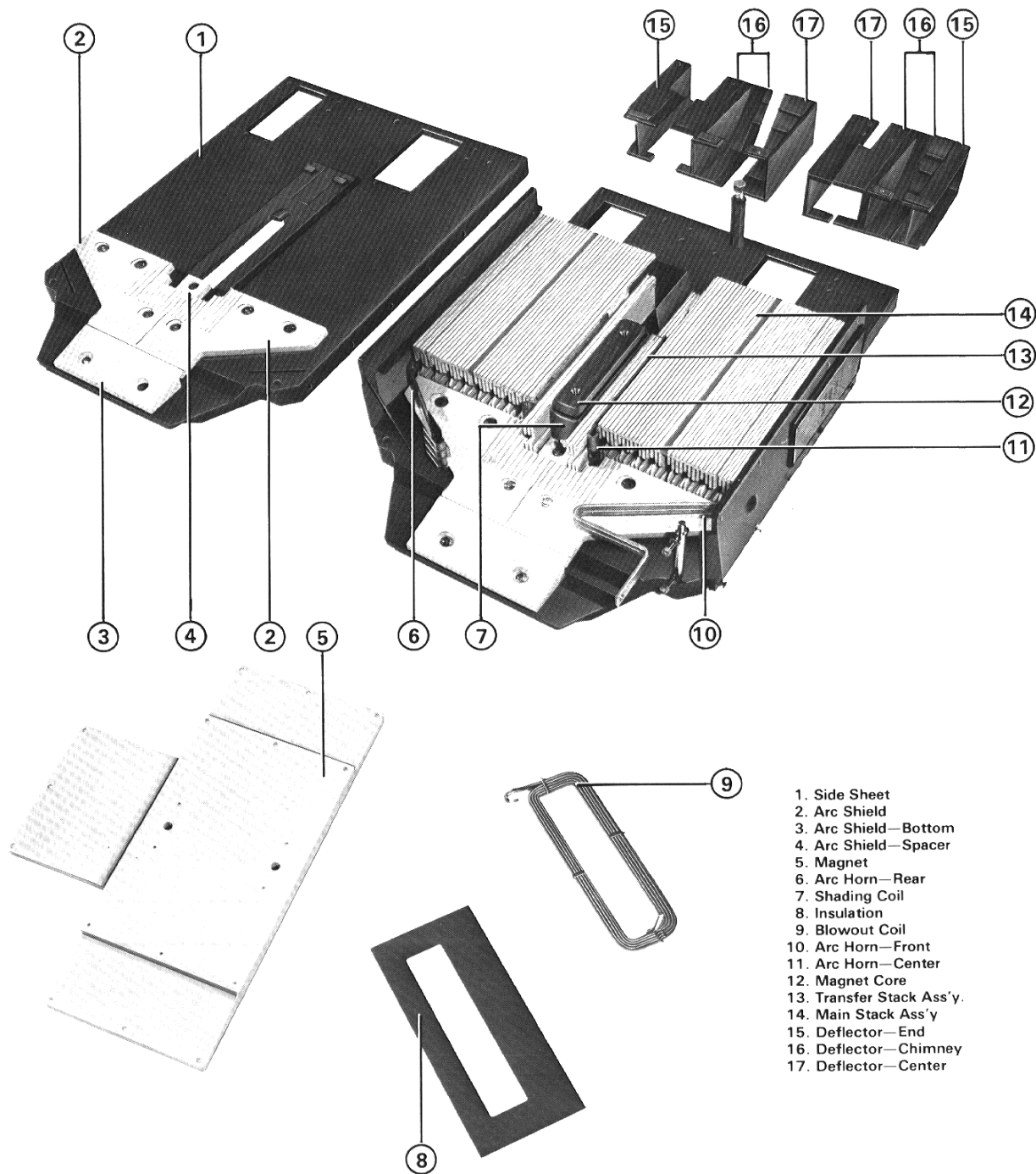


Figure 9. Breaker with Barrier Mounted.

ARC CHUTE PARTS



1. Side Sheet
2. Arc Shield
3. Arc Shield—Bottom
4. Arc Shield—Spacer
5. Magnet
6. Arc Horn—Rear
7. Shading Coil
8. Insulation
9. Blowout Coil
10. Arc Horn—Front
11. Arc Horn—Center
12. Magnet Core
13. Transfer Stack Ass'y.
14. Main Stack Ass'y
15. Deflector—End
16. Deflector—Chimney
17. Deflector—Center

Figure 10. 150DHP750C Arc Chute



Arc Chutes and Barriers ①

Description of Part	Figure Number	Number Required for One 3 Pole Breaker	Breaker Type			
			75DHP500 All Ratings	150DHP500 All Ratings	150DHP750C All Ratings	150DHP1000 All Ratings
Arc Chute Complete	10	3	567F532G01	546F997G02	567F843G01	568F264G01
Side Sheet—R. H.	10	3	548F261G01	548F261G01	567F931G01	567F931G01
Side Sheet—L. H.	10	3	548F262G01	548F262G01	567F931G01	567F931G01
Main Stack Ass'y	10	6®	591C378G01	310C851G02	591C690G01	591C690G01
Transfer Stack Ass'y	10	6®	304C985G02	304C985G02	590C972G01	590C972G01
Blowout Coil	10	6	591C379G01	310C411G01	591C698G01	591C698G01
Magnet Core	10	3	438D072G02	438D072G02	591C693G01	591C693G01
Shading Coil	10	3	310C853G01	310C853G01	591C694G01	591C694G01
Arc Horn—Center	10	6	591C344H01	591C344H01	591C947G01	591C947G01
Arc Horn—Front	10	3	437D285G03	437D285H01	567F841G01	567F841G04
Arc Horn—Rear	10	3	437D285G02	437D285G02	567F841G02	567F841G05
Magnet	10	6	438D072G01	438D072G01	151D067G01	6896D13G01
Insulation	10	6	501A408H01	501A408H01	436B412H01	436B412H01
Deflector	10	15	501A418H02	501A418H02	See Table Below for Deflectors and Arc Shields	
Arc Shield—R. H.	10	3®	423D171H01	423D171H01		
Arc Shield—L. H.	10	3®	423D172H01	423D172H01		

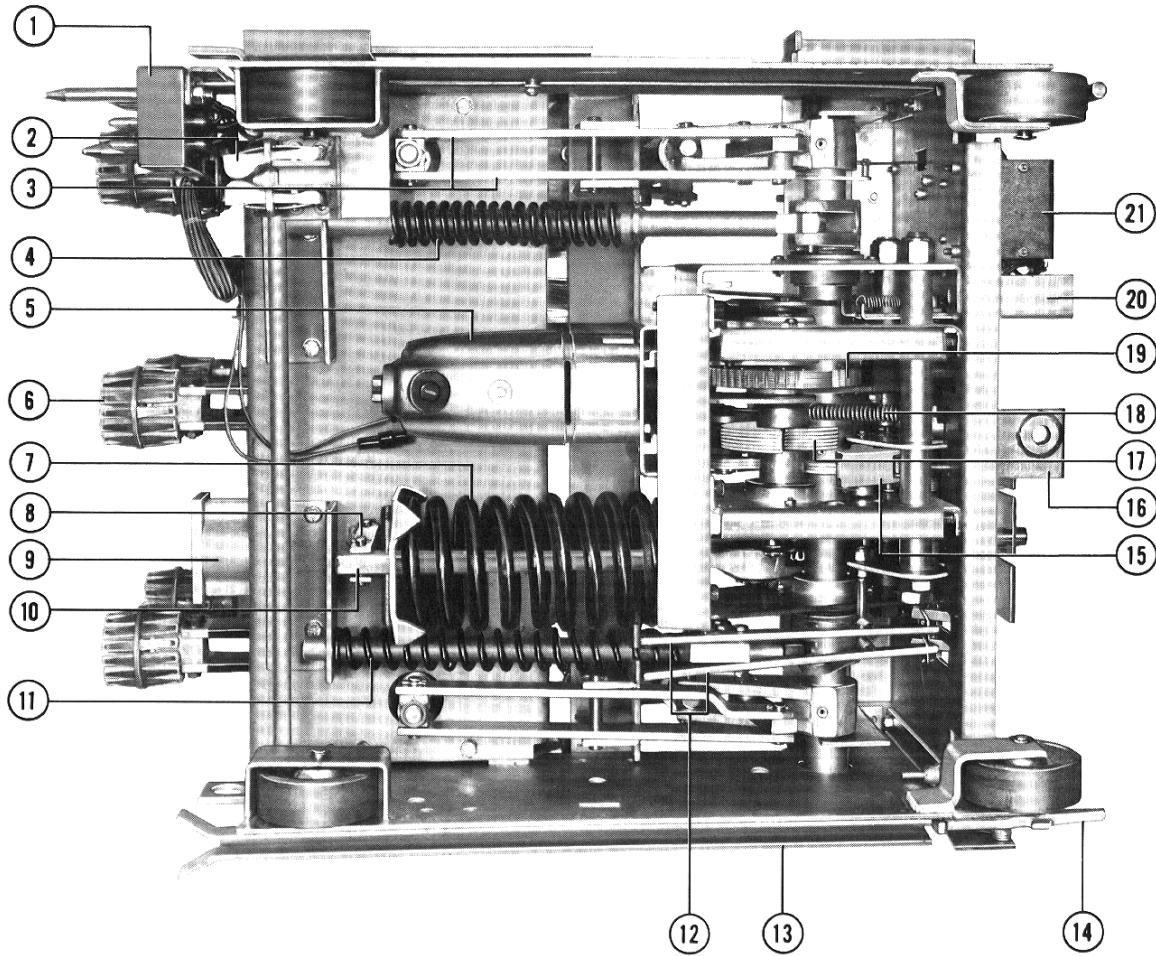
For 150DHP750C and 150DHP1000 Arc Chutes

Deflector—End	10	6			151D170H01	151D170H01
Deflector—Chimney	10	12			151D171H01	151D171H01
Deflector—Center	10	6			151D172H01	151D172H01
Arc Shields Consist of:						
Front Left—Rear Right	10	6®			567F899H01	567F899H01
Front Right—Rear Left	10	6®			567F899H02	567F899H02
Bottom	10	6®			435B205H01	435B205H01
Spacer	10	6®			809A322H01	809A322H01
Barrier Complete	9	1	546F995G01	546F995G01	567F844G01	568F166G01

® Recommended Spare—See Page 2

① Breakers which have special seismic requirements may be equipped with arc chutes and barriers of different construction from the styles listed. For parts identification obtain breaker shop order number from the breaker nameplate and refer to Switchgear Division.

CHASSIS PARTS



- | | |
|----------------------------------|--|
| 1. Secondary Contact Block | 12. Floor Tripper Levers |
| 2. Ground Contact | 13. Guide Channel |
| 3. Puffer Operating Arm | 14. Rail Latch |
| 4. Opening Spring, Left Hand | 15. Tripping Cam |
| 5. Spring Charging Motor | 16. Turning Dolly Bracket |
| 6. Primary Disconnecting Contact | 17. Closing Cam |
| 7. Closing Spring | 18. Mechanism Linkage Retrieving Spring |
| 8. Idler Link | 19. Ratchet Wheel |
| 9. Levering-in Nut Housing | 20. Motor Cut-off Switch and Spring Charge Indicator |
| 10. Connecting Rod | 21. Control Relay |
| 11. Opening Spring, Right Hand | |

Figure 11. Underside of 15.0 Kv Breaker

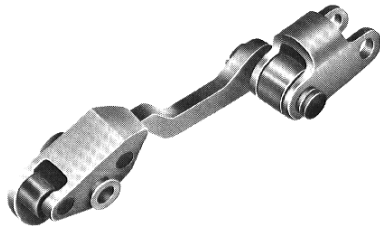


Chassis Parts—All Barriers

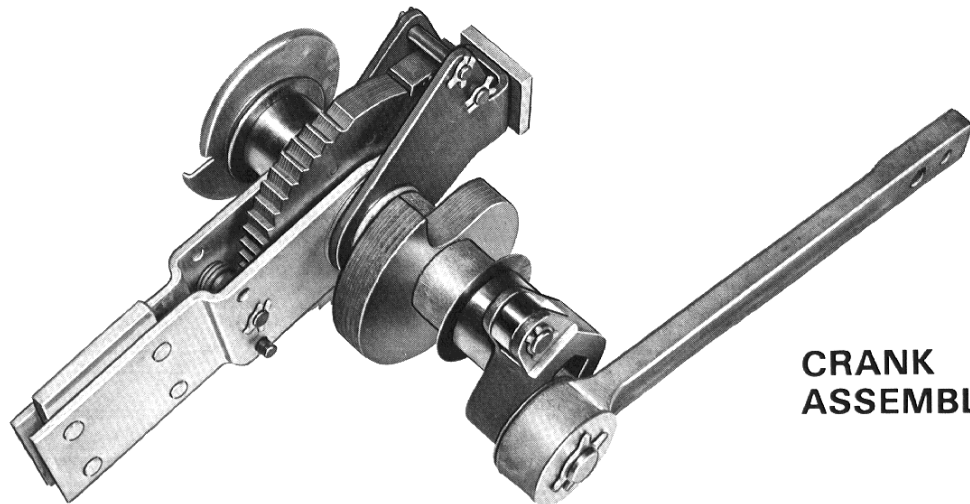
Breaker Type	Mechanism Assembly, including Motor ①			Closing Spring ②	Opening (Accelerating) Springs	
	Motor Voltage				Right Hand	Left Hand
	115 V AC 125 V DC	230 V AC 250 V DC	48 V DC			
50DHP75 50DHP250 50DHP350 1200 and 2000 A	691C705G01	691C705G02	691C705G03	503B411H01	503B410H17	503B410H17
50DHP350 3000 A	691C742G01	691C742G02	691C742G03	509A893H01	503B411H06	436B354H03
150DHP500 37 KA Momentary	691C708G01	691C708G02	691C708G03	503B411H02	436B354H04	436B354H03
75DHP500 150DHP500 58 KA Momentary 150DHP750C 150DHP1000	691C708G04	691C708G05	691C708G06	503B411H05	436B354H04	436B354H03

Note: ①The mechanism assembly does not include the closing and opening springs.
②Closing Spring Removal Tool is available. Order style 592C864G01.

CLOSE AND TRIP LINKAGE

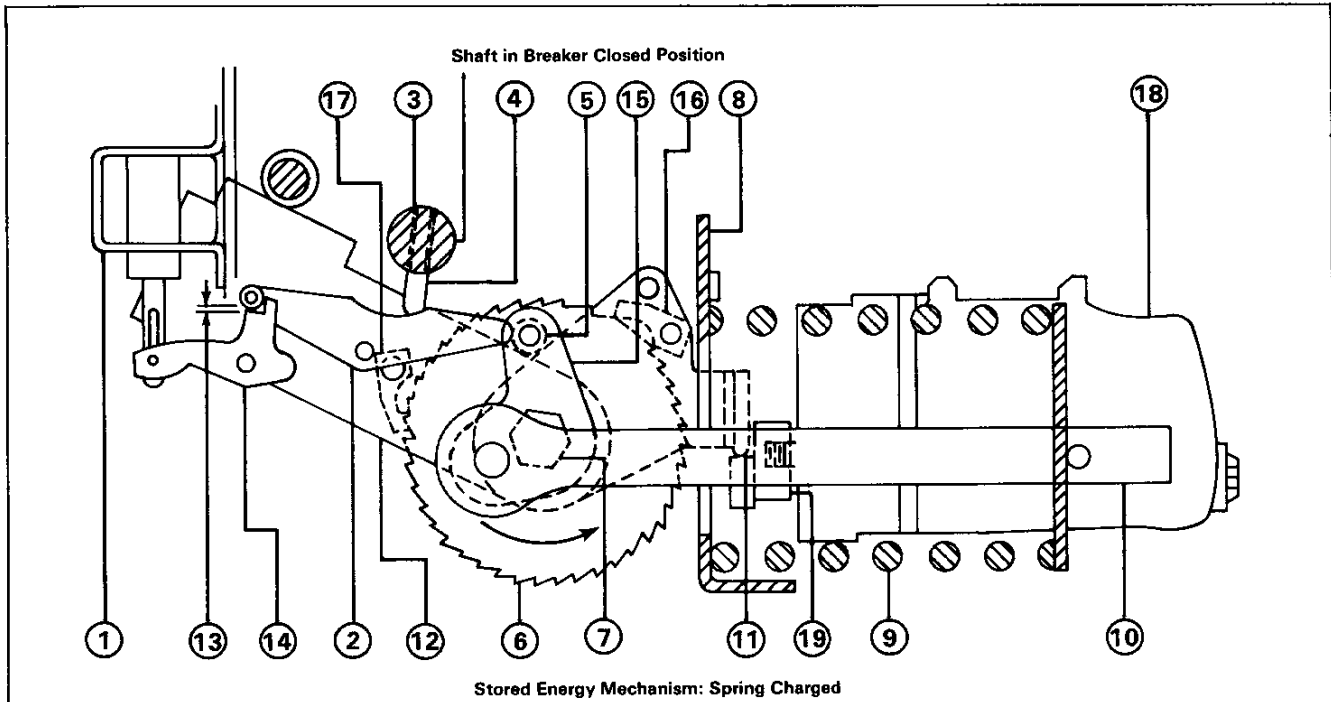


RATCHET AND CAM ASSEMBLY



**CRANK
ASSEMBLY**

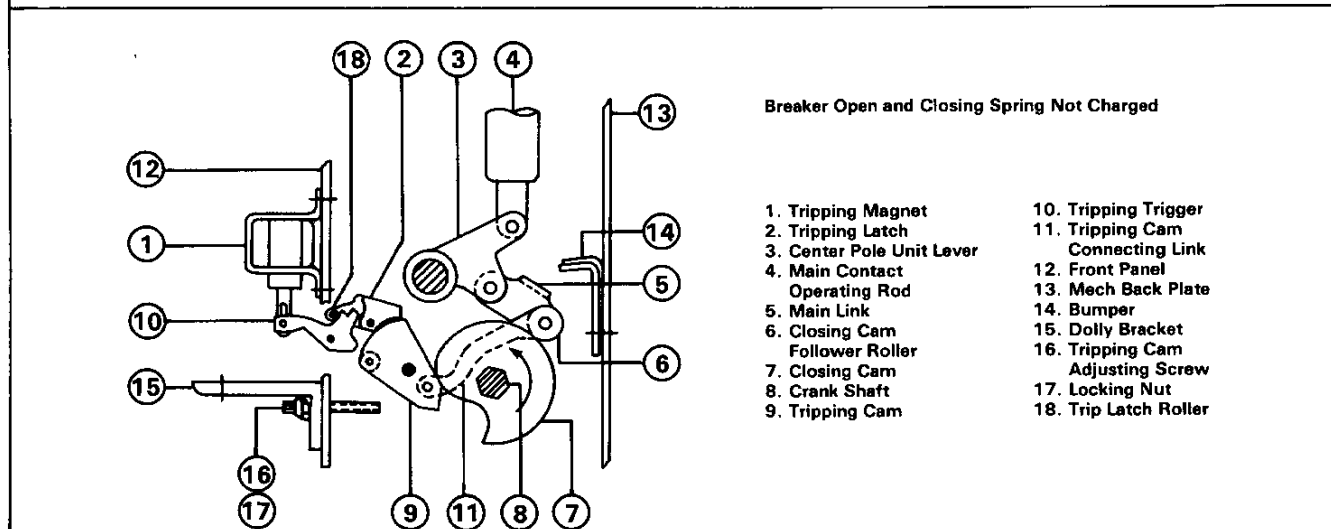
Figure 12.



Stored Energy Mechanism: Spring Charged

- | | | |
|-----------------------------------|--|---------------------|
| 1. Spring Release Magnet and Coil | 8. Mechanism Frame | 14. Closing Trigger |
| 2. Closing Latch | 9. Closing Spring | 15. Main Crank |
| 3. Pole Unit Operating Shaft | 10. Connecting Rod | 16. Driving Pawl |
| 4. Anti-Close Interlock Screw | 11. Driving Plate and Motor Ratchet Lever Assembly | 17. Holding Pawl |
| 5. Closing Stop Roller | 12. Manual Ratchet Lever and Holding Pawl Assembly | 18. Motor |
| 6. Ratchet Wheel | 13. Clearance .010 to .030, Breaker Closed | 19. Crank Assembly |
| 7. Crank Shaft | | |

Figure 13. Schematic View of Spring Charging Parts



Breaker Open and Closing Spring Not Charged

- | | |
|--------------------------------|-----------------------|
| 1. Tripping Magnet | 10. Tripping Trigger |
| 2. Tripping Latch | 11. Tripping Cam |
| 3. Center Pole Unit Lever | 12. Connecting Link |
| 4. Main Contact | 13. Front Panel |
| 5. Main Link | 14. Mech Back Plate |
| 6. Closing Cam | 15. Bumper |
| 7. Closing Cam Follower Roller | 16. Dolly Bracket |
| 8. Crank Shaft | 17. Tripping Cam |
| 9. Tripping Cam | 18. Adjusting Screw |
| | 19. Locking Nut |
| | 20. Trip Latch Roller |

Figure 14. Schematic View of the Closing Cam and Trip Linkage



Parts Common to All Mechanisms

Description of Part	Number Required for one Breaker	Style Number of Part
① Motor	1 [®]	568F591G01 for 125 V DC/115 V AC
① Motor	1 [®]	568F591G02 for 250 V DC/230 V AC
① Motor	1 [®]	568F591G03 for 48 V DC
Trip Latch Ass'y.	1	503B361G01
Trigger Ass'y.	2	503B362G02
Closing Latch Ass'y.	1	590C566G01
Roller & Link Ass'y.	1	503B365G01
Trip Plate Ass'y.	1	503B376G01
Close Plate Ass'y.	1	503B376G02
Trigger Spring	2	663A926H02
Trip Latch Spring	1	663A890H01
Closing Latch Spring	1	663A731H01
Trigger Pin	1	666A345H03
Trip Latch Pin	1	666A343H01
Closing Latch Pin	1	666A345H15
Latch Cam Pin	1	666A345H01
Cut Off Switch Cam	1	349A263H01

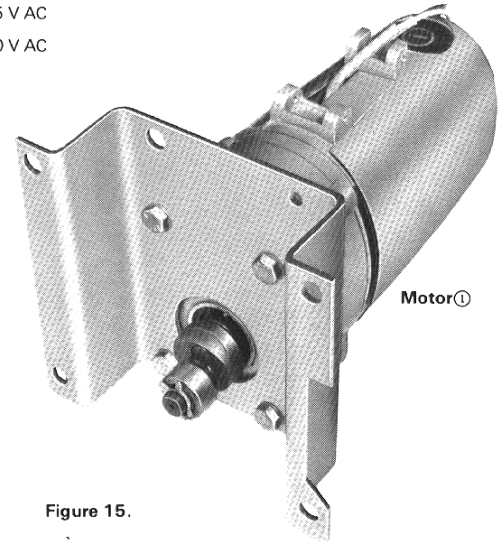


Figure 15.

[®] Recommended Spare—See page 2.

① Motor style includes motor of specified voltage rating, motor mounting bracket, complete crank assembly, and two wire leads with terminals. The listed styles are for field replacement on breakers equipped with motors manufactured by Singer Company. If breaker is equipped with motor manufactured by Black &

Decker, use following styles for field replacement.
3755A95G01 for 125 V DC/115 V AC
3755A95G02 for 250 V DC/230 V AC
3755A95G03 for 48 V DC

Parts Not Common to All Mechanisms

Description of Part	Number Required for one Breaker	Mechanism and Breaker			
		691C705 G01-G02-G03	691C742 G01-G02-G03	691C708 G01-G02-G03	691C708 G04-G05-G06
		50DHP75 50DHP250 50DHP350, 1200/2000 A	50DHP350, 3000 A	150DHP500, 37 KA Momentary	75DHP500 150DHP500, 58 KA Momentary 150DHP750C 150DHP1000
Ratchet & Cam Ass'y.	1	503B366G03	503B366G04	503B366G04	503B366G04
Main Crank Ass'y.	1	503B368G01	503B368G03	503B368G02	503B368G03
Pole Shaft Ass'y. including Pole Lever—Right	1	503B371G01	680C257G02	680C257G01	680C257G01
Pole Lever—Center	1	680C253H02	680C254H04	680C254H02	680C254H02
Pole Lever—Left	1	310C667H02	436B419H02	204B923H02	204B923H02

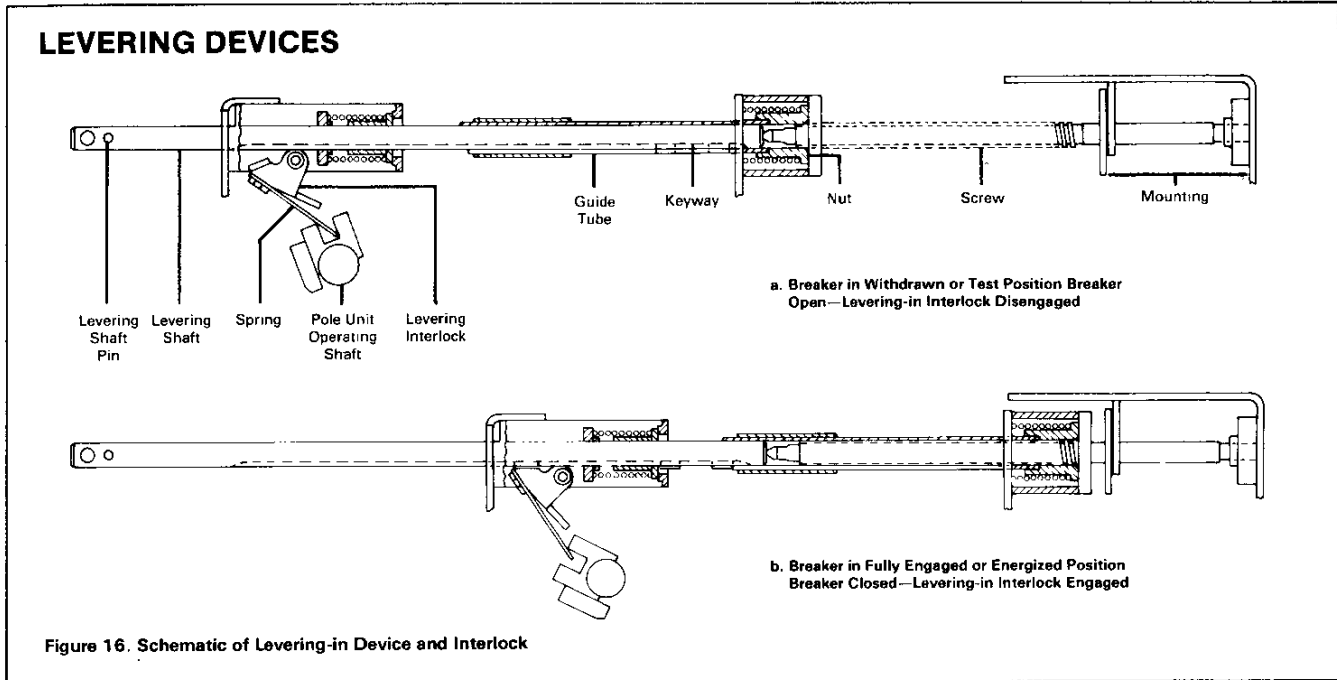


Figure 16. Schematic of Levering-in Device and Interlock

Breaker	Levering-in Assembly Replacement Kit ①
50DHP75 50DHP250	8068A62G01
50DHP350 1200/2000 A	8068A62G02
50DHP350 3000 A	8068A62G04
75DHP500 150DHP500 150DHP750C 150DHP1000	8068A62G03

① Levering-In Assembly Replacement Kit consists of:

- 1—Tube and Nut Ass'y.
- 1—Shaft Ass'y.
- 1—Levering Shaft Pin
- 1—Assembly Drawing

The schematic view above shows the screw and mounting which are part of the breaker housing; and the spring, pole unit operating shaft and levering interlock which are on the breaker. None of these items are part of the Replacement Kit.